

ML1608HP SERIES – Multilayer Chip Inductors

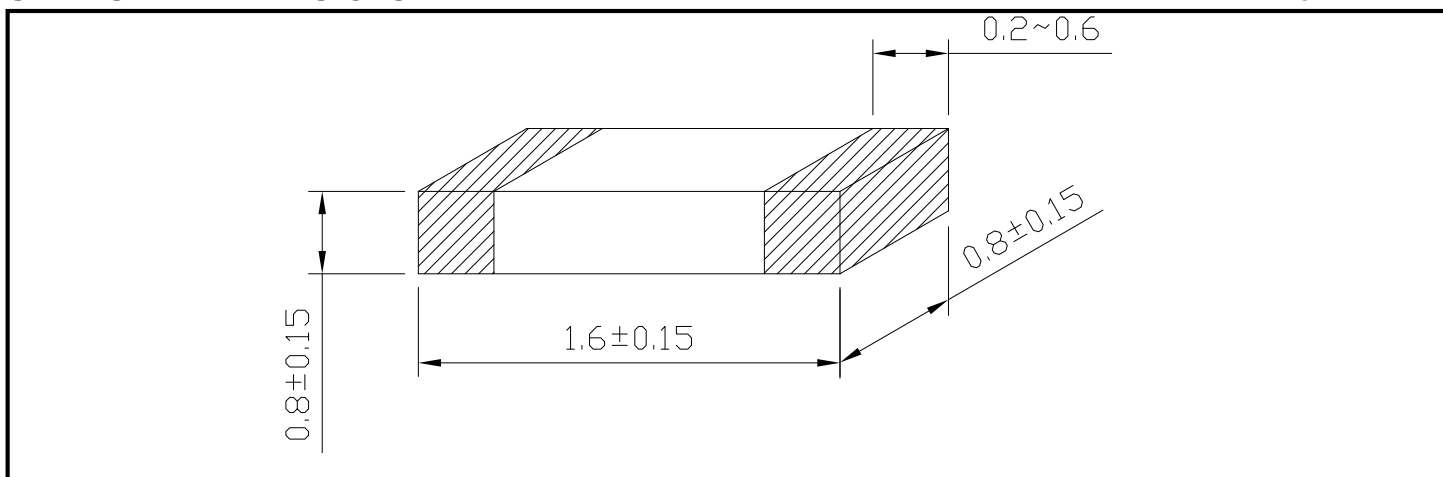


PART NUMBERING SYSTEM

ML	1608HP	—	R47M	—	LF
TYPE	DIMENSIONS		INDUCTANCE		LEAD FREE

SHAPES AND DIMENSIONS

UNIT : mm



SPECIFICATION TABLE

PART NUMBER	INDUCTANCE (μ H)	DCR (Ω) (max)	Isat (mA) (Max.)	Irms (mA) (Max)	TEST FREQUENCY
ML1608HP-R24M-3.2A-LF	0.24 \pm 20%	0.054	3200	2600	2MHz,200mV
ML1608HP-R33M-3.0A-LF	0.33 \pm 20%	0.075	3000	2200	2MHz,200mV
ML1608HP-R47M-2.2A-LF	0.47 \pm 20%	0.100	2200	1600	2MHz,200mV
ML1608HP-1R0M-1.5A-LF	1.0 \pm 20%	0.120	-----	1500	1MHz,200mV
ML1608HP-2R2M-1A-LF	2.2 \pm 20%	0.200	-----	1000	1MHz,200mV
ML1608HP-4R7M-0.8A-LF	4.7 \pm 20%	0.250	-----	800	1MHz,200mV
ML1608HP-100M-90mA-LF	10 \pm 20%	0.900	-----	90	1MHz,200mV

- Test Equipment : HP-4291A Impedance Analyzer Meter or equivalent .
- Rate Current : Applied the current to coils, the temperature rise shall not be more than 30°C
- Operating temperature range -40°C ~ +105°C (Including self - temperature rise)
- Packing : 7" reel, machine-ready ,embossed plastic tape (4,000 parts per full reel).